

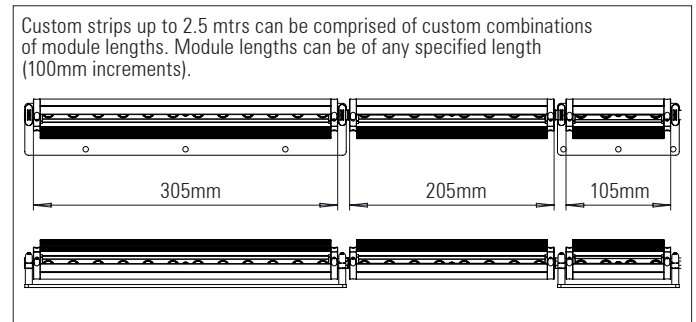
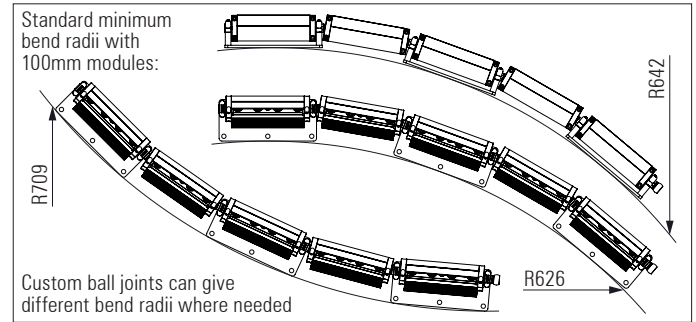
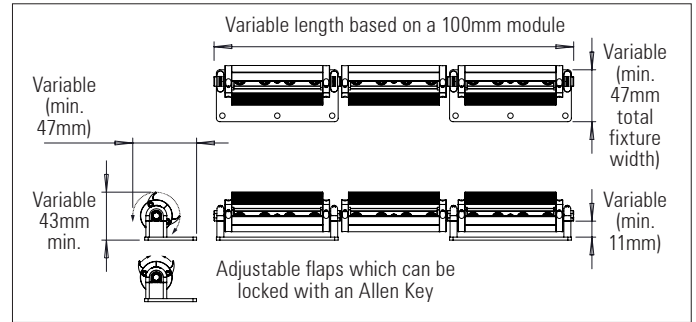
Flaplight Ball-Joint System IP20

2 or 4 x high power LEDs with lenses per 100mm

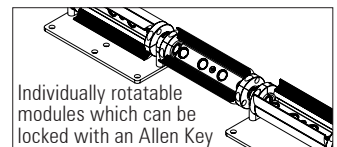
Modular, 3D flexible LED linear lighting system



Patent # P11155WE



LED/lens matrix	CREE XP-G	
	Lisa2	Larisa
	N/A	N/A
Real spot (RS)	26 °	N/A
Medium (M)	34 °	36 °
Wide (W)	48 °	N/A
Wide (WW)	54 °	N/A
Wide (WWW)	86 °	N/A
Elliptical (O)	46+24°	39+25 °



Up to 3.000 Lumens per Mtr

Flaplight Ball-Joint System IP20

Modular, 3D flexible LED linear lighting system

Product description:

Interior linear display lighting applications or direct wall washing applications where the building surfaces are non linear with curved profiles

Cree XP-E or XP-G LEDs with Ledil Lisa or Larisa lenses

The extruded head incorporates adjustable and lockable hinged flaps to control glare and cut off to ensure excellent visual comfort

Individually rotatable modules which can be adjusted on-site and locked with an Allen Key

The lighting head can be fitted with a variety of lenses to control the light distribution from the LEDs

Integral DC to DC low voltage drivers. Remote 30V DC power supply

30 Watts per Mtr

Custom strips up to 2.5 mtrs can be comprised of custom combinations of module lengths. Module lengths can be of any specified length (100mm increments).

Dimming options available: 1-10V, DMX and DALI. Separate dimming channel

Anodized, plated or any RAL paint colour finish

Custom bracketry solutions can be supplied to suit project requirements

* RGB, RGBW, RGBA and Dynamic-white options do not use a colour mixing lens

Product Code	No. of LEDs per mtr.	IP	Length (mm)	Colour Temp. (K)	CRI	Cover	Fixing Type	Feed	Finish
RAD FLAPLIGHT BALL-JOINT IP20	40 LEDs per Mtr: 25mm pitch 20 LEDs per Mtr: 50mm pitch	20	Modules: 100mm up to 2500mm (increments of 100mm) (Specify quantity of modules)	27=2,700k 30=3,000k 35=3,500k 40=4,000k 45=4,500k 50=5,000k * RGB * RGBW * RGBA * Dynamic white	80 90	Clear Diffused	Custom height adjustable angle bracket: Specify leg height (min. 11mm) specify plate width (min. 35mm)	End Back Side	Black White Any RAL-colour